

# UTC-124

## 23.8" Ubiquitous Touch Computer UTC-124K with 12th Gen Intel® Core™ i3/N97 Processor



DeviceOn/iService

### Features

- Slimmer and Lighter design
- Low power and fanless system design
- Built-in Intel® N97
- 23.8" monitor with 16:9 widescreen display
- IP65-rated front panel for water and dust resistance
- Clean back cover design with 3 Way IO cable routing
- Supports both landscape and portrait screen orientations
- VESA 100 mm standard mounting holes for varied mounting demands
- Support DeviceOn/iService software for remote device management



### Introduction

UTC-124 features an all-in-one computing system which equipped with wide format, touch based LCD panel. It is easy to integrate key peripherals and display systems for diversified self-service and interactive signage deploy in different application areas.

Thanks for the slim and light looking with 3 way cable routing design, makes UTC-124 good fit to diverse scenarios and areas.

The systems deliver updated information with well-designed interactive interfaces, with fully ensure relevant content and targeted promotions are delivered. UTC series touch panel computers are the best investments to enhance user satisfaction, further brand equity, and maximize business profits.

Moreover, Advantech DeviceOn/iService Software is a next-generation unified device management unified device management solution based on the WISE-DeviceOn platform. With support for batch operations and multi-device control, DeviceOn/iService enables easy device configuration and deployment for convenient remote device management.

### Specifications

Process system	CPU	Intel Processor N97 (Default) Intel Core i3-N305	
	Base Frequency	N97: 2.0 GHz (4 cores) i3: 1.8 GHz (8 cores)	
	Memory	1 x 262pin SO-DIMM DDR5 4800MHz up to 16GB	
	Storage	1 x 2.5 internal SATA storage*, M.2 2242/2280 SSD	
	Network	2 x Gigabit Ethernet ports (Supports Wake on LAN)	
	I/O Ports		2 x RS-232 COM (COM2 RS-232/422/485)
			2 x USB 3.2 Gen1 Type-A
			2 x USB 2.0
			1 x USB 3.2 Gen 1 Type-C
			1 x DC-in USB Type-C
			2 x Gigabit Ethernet ports 1 x HDMI 1.4 1 x Audio Phone Jack
Stereo Speaker	2 x 2W		
Bus expansion	1 x M.2 key2230, 1 x M.2 key2280		
Mounting	VESA 100 x 100 mm (Screw Size, M4, 7mm)		
Dimension (WxHxD)	587 x 356 x 42.5 mm		
Weight	6.5kg		
OS Support		Win 10/11 IoT Enterprise 64bit Linux, Android 14	
Environment Specification	Operating temperature	0 ~ 40 °C (32 ~ 104 °F)	
	Relative Humidity	10 ~ 95% @ 40 °C non-condensing	
	Vibration	0.5G	
	Shock	Shock 10G peak acceleration(11 msec. duration)	
	Certification	CE, FCC, CB, UL, CCC, BSMI	
	Front Panel Protection	IP 65 Compliant	
Power Supply	DC Input Rating	20V/4.5A (90W)	
	PoE	n/a	
	Power consumption	55W	
LCD Display	Size/Type	23.8" FHD	
	Max.Resolution	1920 x 1080	
	Max. Color	16.7M	
	Pixel Pitch (um)	274.5(H) x 274.5(V)	
	Brightness (cd/m²)	350	
	View Angle	178°/178°	
Touch Screen Option	Type	Projected Capacitive.	
	Light Transmission	> 85%	
	Controller	USB Interface	
TPM		TPM 2.0	

## Specifications (Cont.)

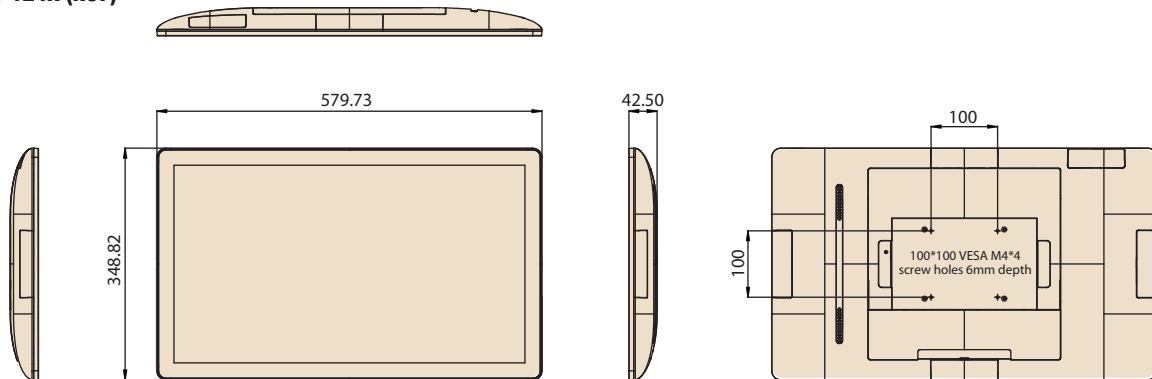
DeviceOn/iService Remote Device Management	Operating System	Windows 10 / Windows 11
	Common Controls (Reboot, Shutdown)	✓
	Remote desktop	✓ (VNC)
	Device-Specific Controls (Audio)	✓*
	Connection Status	✓
	Hardware Status	✓*
	Hard Disk Status	✓*
	Batch Operation Support	✓
	OTA Storage Management	FTP
	OTA Software Updates	✓
	Software Watchlist	✓
	Software Start/Stop	✓*
Kiosk Mode		
*Dependent on device model	Peripherals Watchlist	✓*

Note: DeviceOn/iService software must be downloaded from the Advantech website at <https://www.advantech.com/search/?q=DeviceOn%2FiService&st=support&ssl=Utility>  
 Note: It will block some IO ports on the same side.

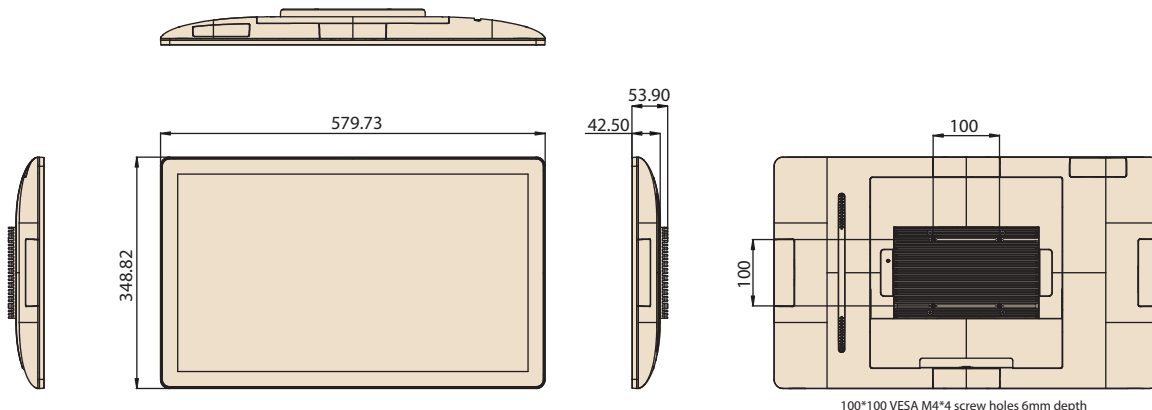
## Dimensions

Unit: mm

### UTC-124K (N97)

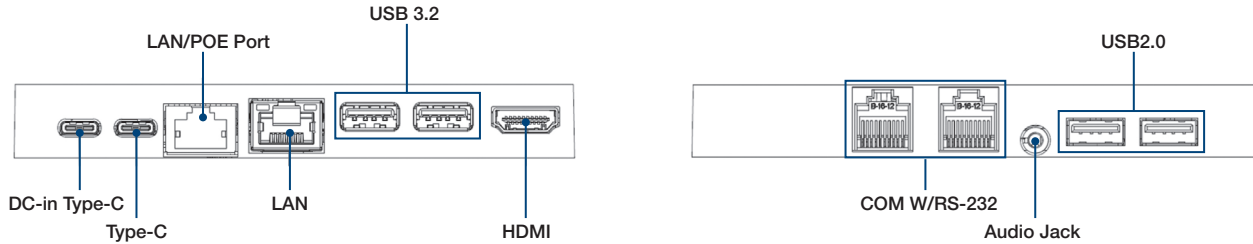


### UTC-124K (i3)



Suggest M4\*7 screw for VESA

## Fully- Integrated I/O



## Ordering Information

### For Worldwide Model

Part No.	Descriptions
UTC-124KP-WWW1E	23.8" Pcap, FHD 1920x1080, N97 CPU, 8G RAM, 128G SSD, Win11 IOT, WF, Silver

### For US only Model

Part No.	Descriptions
UTC-124KP-WUS1E	23.8" Pcap, FHD 1920x1080, N97 CPU, 8G RAM, 128G SSD, Win11 IOT, WF, Silver, US Power Cord

### Extra ordering information

Part No.	Descriptions
1700001524	Power Cord UL 3P 10A 125V 183cm (US)
170203183C/170203183C-01	Power Cord EU 3P 2.5A 250V 183cm (EU)
1700019146	Power Cord CCC 3P 2.5A 250V 183cm (China)
170203180A	Power Cord BSI 3P 2.5A 250V 183cm (UK)
1700025928-03	COM Port Converter cable RJ48-10P10C to D-SUB 9P 35cm
UTC-T01-STANDE	Tri Shape Floor Stand 120cm
UTC-100P-STAND0E	L Stand for UTC-115
ARES-2425X-S271001	Tilt Table Stand for UTC-100 Series (Black) (Support Portrait & Landscape)
ARES-12250-L101000	Vesa Wall-mount for UTC-100 Series (Black)

Peripheral Mountable on All 4 Sides



### Peripherals for UTC-100(AIO system) series

Part No.	Description
UTC-100P-B11E	2D Barcode Scanner for UTC-115/120
UTC-100P-C10E	5M Camera for UTC-115/120
UTC-100P-R10E	RFID Scanner for UTC-115/120
UTC-100P-M10E	MSR Reader for UTC-115/120
UTC-100P-S10E	Smart Card Reader for UTC-115/120
UTC-100P-L10E	LED Light Bar for UTC-115/120
UTC-100P-F10E	Finger Print Reader for UTC-115/120
UTC-100P-T10E	Thermal Camera for UTC-115/120

# DeviceOn/iService

## Unified Remote Device Management Software



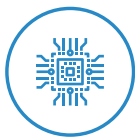
### Features

- Supports Advantech devices equipped with Windows, Android, and Linux OS
- Flexible device, location, user, and permissions management
- Enables remote monitoring and control of hardware, software, and peripherals
- Supports over-the-air (OTA) firmware and software updates
- Ensures quick, easy, and secure device onboarding
- RESTful APIs for third-party system integration

### Introduction

Advantech's DeviceOn/iService is a next-generation unified device management solution based on the WISE-DeviceOn platform. Designed to enable centralized monitoring and remote management, DeviceOn/iService supports Advantech devices equipped with Windows, Linux, or Android operating systems. The software also supports the management of applications and integrated peripherals, such as a barcode scanner, card reader, camera, and printer. Users can remotely access and control connected devices, take screenshots, rollout OTA upgrades, and use remote desktop capabilities for troubleshooting from any location at any time. Moreover, DeviceOn/iService supports batch operations to facilitate the management of multiple devices simultaneously for easy and convenient device configuration and deployment.

### Total Management



#### Devices & Hardware

- Windows, Linux, Android
- Hardware, storage, battery



#### Software & Peripherals

- Software monitoring & access
- Screens, USB devices, printers



#### Open for Expansion

- Peripheral integration
- Open APIs for integration

### Remote Access



#### Real-Time Monitoring

- Connection/hardware status
- Software/peripheral status
- Failure notifications



#### Remote Controls

- Power controls
- Audio, backlight controls
- Software controls



#### Troubleshooting

- Screenshots
- Remote desktop support

### Operational Efficiency



#### OTA updates

- System/software updates
- File repository management
- App store



#### Batch Controls

- 1-to-many batch reboot, etc.
- Time-saving tasks



#### Setup Booster

- Software/peripheral watchlist
- Roles, rule templates

Note: Some functions may vary according to the product

### System Architecture

